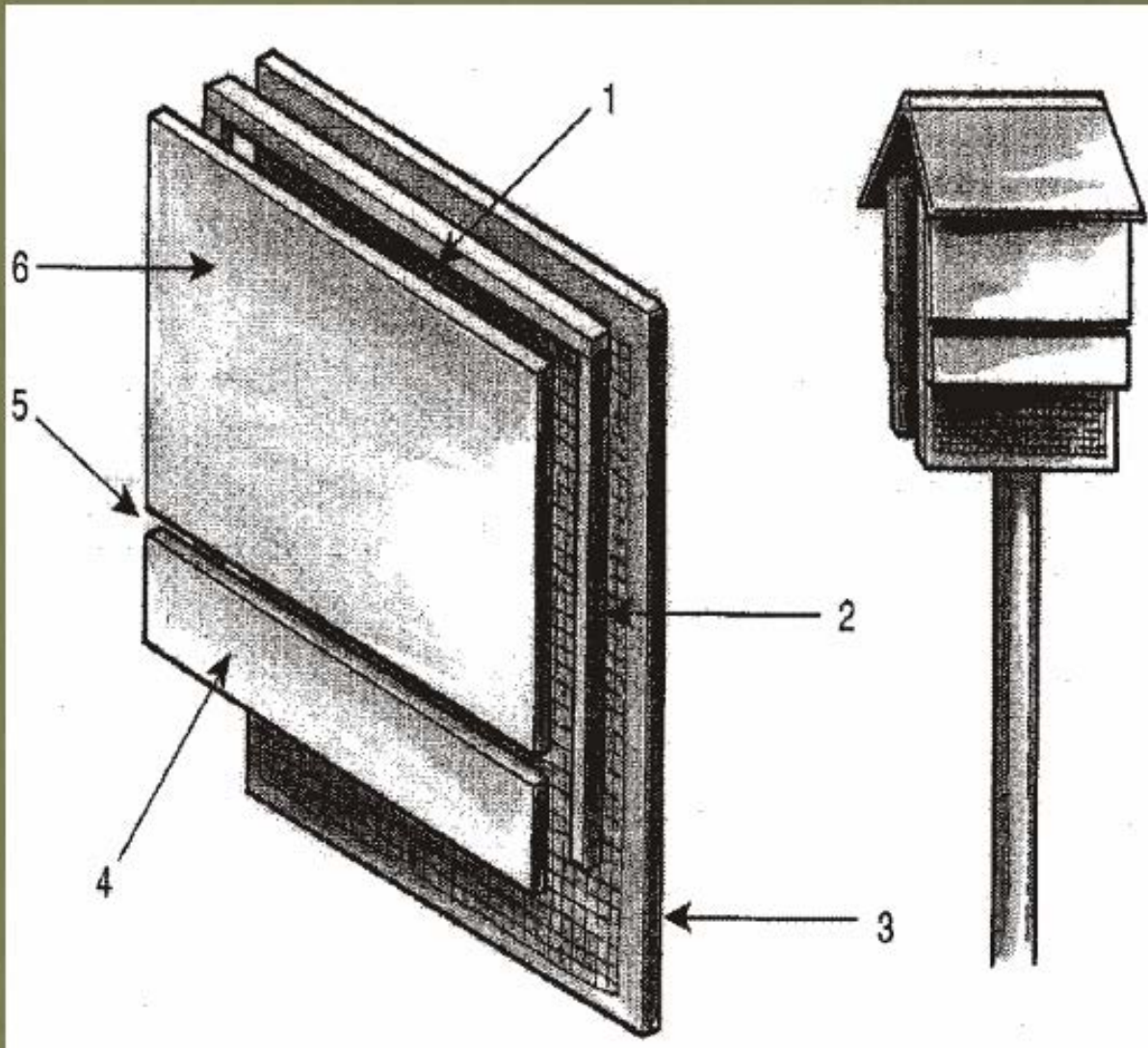


Construction of a simple bat house (Design based on Bat Conservation International)



- | | |
|----------------------|-----------------|
| 1. Top spacer | 44 mm x 610 mm |
| 2. Side Spacers (x2) | 44 mm x 508 mm |
| 3. Back | 673 mm x 610 mm |
| 4. Lower front | 127 mm x 610 mm |
| 5. Vent | 12 mm x 610 mm |
| 6. Upper front | 419 mm x 610 mm |